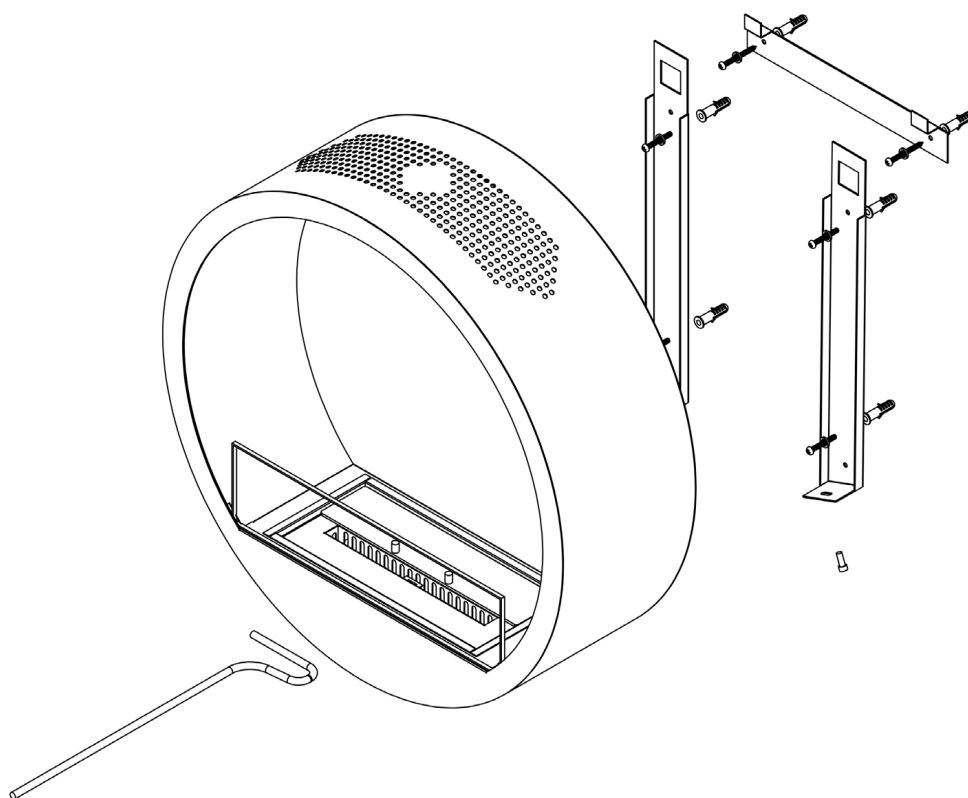




BIO-10-025



TECHNICAL SPECIFICATIONS

Type	Wall-mounted bioethanol fireplace
Size	Height: 600 mm / Width: 600 mm / Depth: 200 mm
Materials	Steel and glass
Weight	12,8 kg.
Burner	Adjustable Manuel bioethanol burner (Burner width: 320 mm / Flame width: 240 mm)
Capacity	1,5 Liter
Usage	Approx 0.24 L/h - Up to 6 hours per filling
Fuel	Bioethanol (Recommended 96,6% alcohol)
Colour	Black and white
Heat Output	2,17 kW
Electricity	No